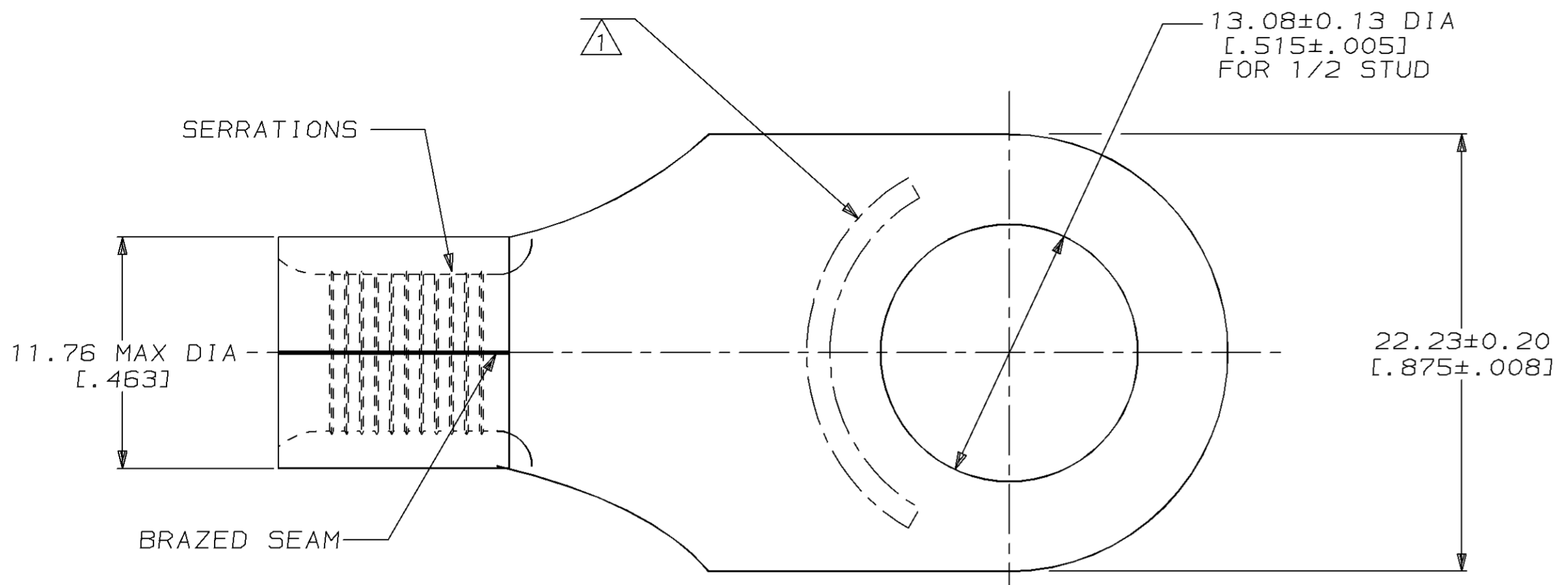


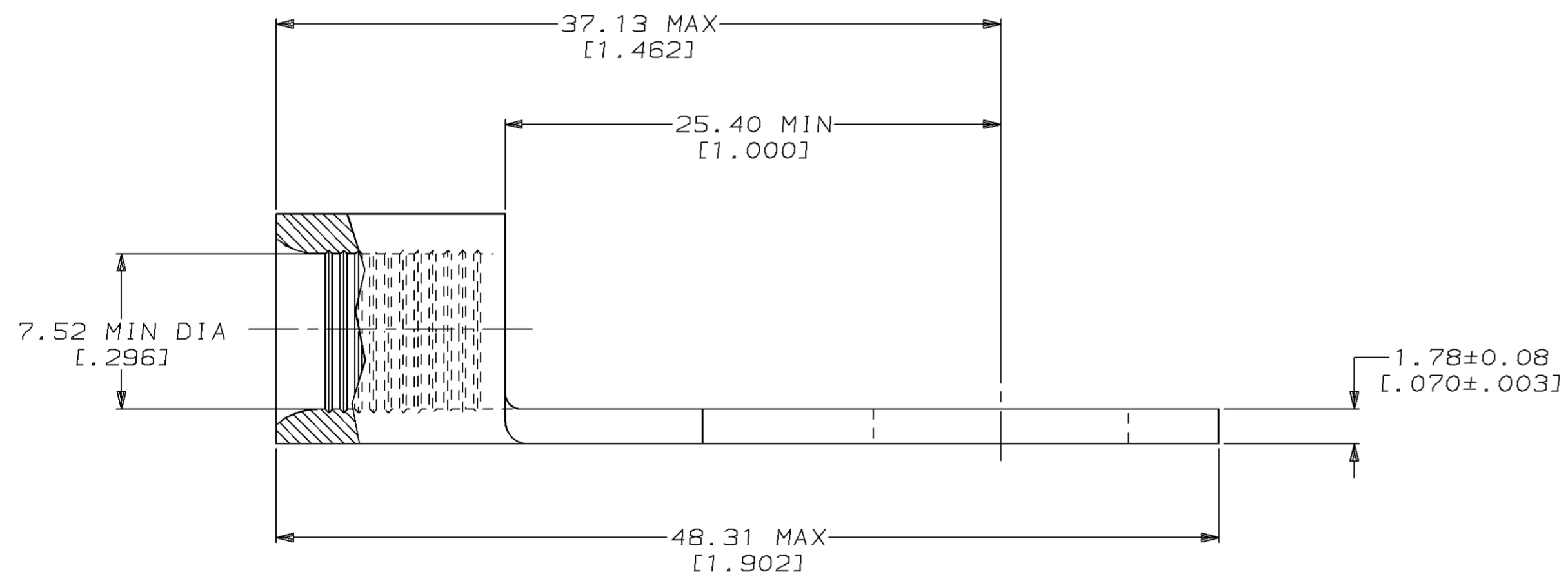
LOC	DIST	P	F	ZONE	LTR	DESCRIPTION	DATE	APPD
G	14				H	REVISED PER 0720-0048-94	6/15/94	OKS DAP

**METRIC**  
 DIMENSIONS LISTED IN mm [ INCHES ]



<b>AMP</b> WIRE RANGE	<b>UL</b> E13288 Listed
4 AWG SOLID OR STRANDED	4 AWG STRANDED
<b>SR</b> LR7189 Certified	MILITARY P/N AND CLASS
4 AWG SOLID OR STRANDED	MS 20659-145 CLASS 2 P/N 327175 ONLY

△ STAMP AMP 4\* APPROX AS SHOWN



25	LOOSE PIECE, BOX	8-327175-3
500	LOOSE PIECE, BOX	2-327175-2
---	LOOSE PIECE	327175
QUANTITY	PACKAGING TYPE	PART NO

<b>AMP INCORPORATED</b> CUSTOMER SERVICE SYSTEMS		MAX RECOMMENDED OPERATING TEMPERATURE: 170°C MAX	DO NOT SCALE PRINT. UNLESS SPECIFIED DIMENSIONS IN mm [INCHES] TOLERANCES ON: 2 PLC DEC ± - 3 PLC DEC ± - ANGLES ± -	DR 3-29-93 TA BRINKMAN CHK 3-29-93 DA PATTERSON APPD 3-29-93 DE MILLER APPD 3-29-93 JL MECKLEY PRODUCT SPEC -	<b>AMP</b> AMP Incorporated Harrisburg, PA 17105-3608
FOR ADDITIONAL PRODUCT INFORMATION OR COPIES OF DRAWINGS AND TECHNICAL DOCUMENTS	PRODUCT INFORMATION CENTER 1-800-522-6752	VOLTAGE RATING: NOT APPLICABLE	MATERIAL COPPER PER ASTM B-152 ANNEALED	NAME TERMINAL, RING TONGUE, SOLISTRAND™	
FOR APPLICATION TOOLING INFORMATION	TOOLING ASSISTANCE CENTER 1-800-722-1111	WIRE CROSS SECTIONAL AREA RANGE: 16.8-26.7mm² [33,100-52,600] CIR MILS SOLID OR STRANDED	FINISH TIN PLATE 0.00254[.000100] MIN THK PER MIL-T-10727	APPLICATION SPEC -	SIZE C 00779 DRAWING NO G=327175
FOR ORDER ENTRY	1-800-526-5142	THIS DRAWING IS A CONTROLLED DOCUMENT FOR AMP INCORPORATED. IT IS SUBJECT TO CHANGE AND THE CONTROLLING ENGINEERING ORGANIZATION SHOULD BE CONTACTED FOR THE LATEST REVISION.		WEIGHT -	SCALE 4:1 SHEET 1 OF 1